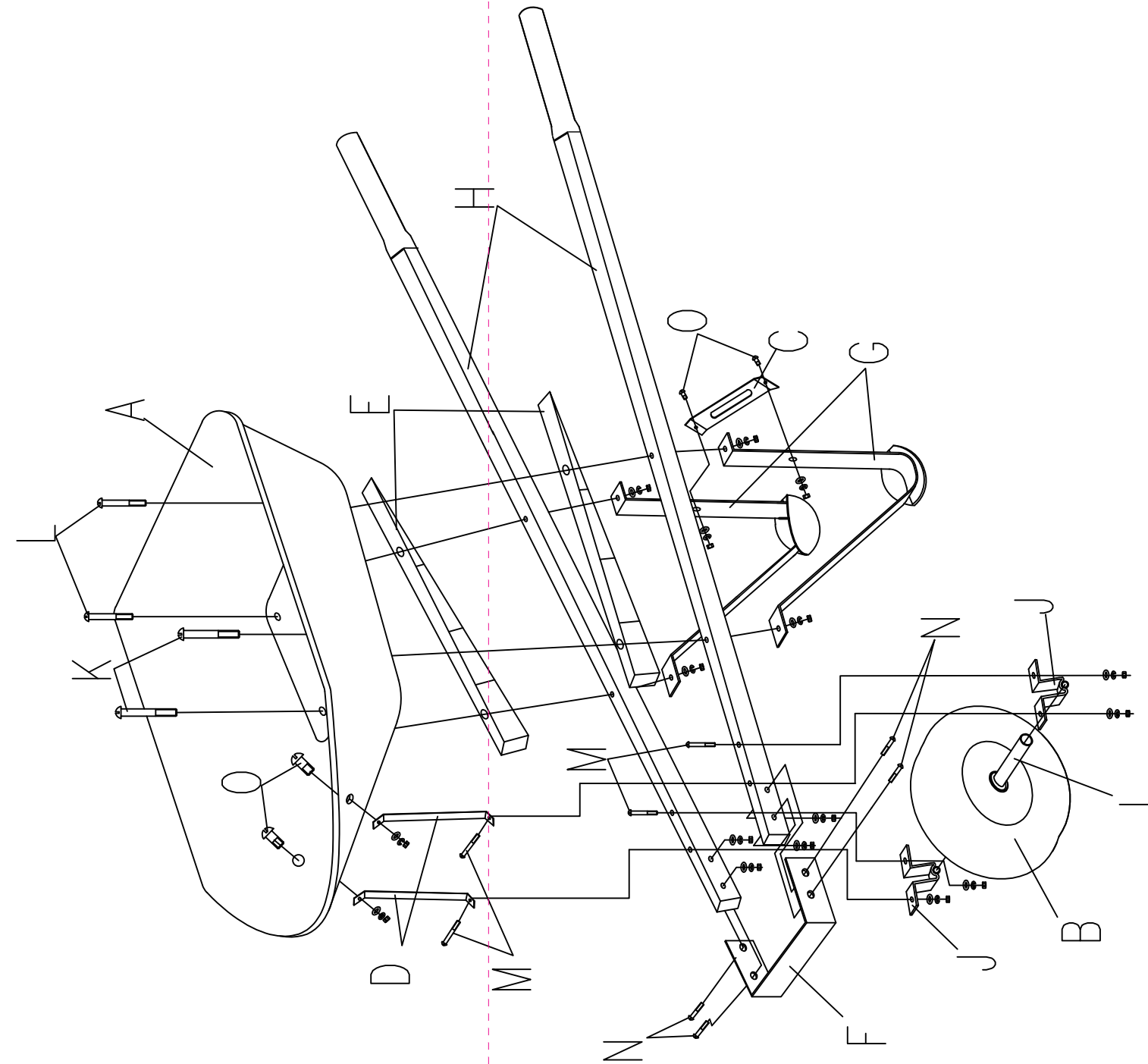
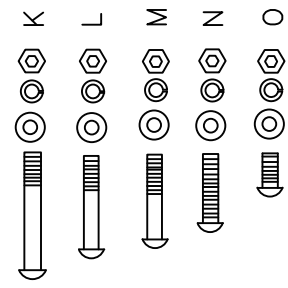
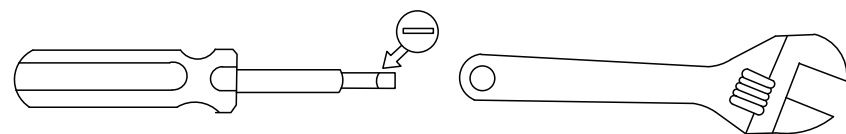


**CENTURION®**

**6CUFT STEEL  
WHEELBARROW WITH  
STEEL HANDLE  
AND 16" PNEUMATIC TIRE**



**TOOLS REQUIRED (NOT INCLUDED)**



**PARTS LIST**

KEY	PART	DESCRIPTION	QTY.	KEY	PART	DESCRIPTION	QTY.
A		Tray	1	F		Nose Guard	1
B		Wheel	1	G		Leg	2
C		Leg Brace	1	H		Heavy-duty handle	2
D		Tray Brace	2	I		Axle	1
E		Wedge	2	J		Wheel bracket	2

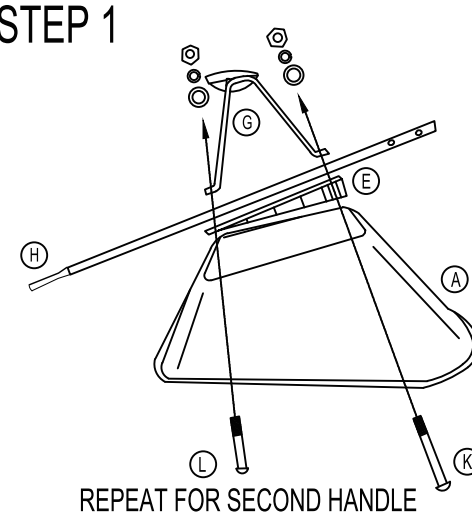
**HARDWARE LIST**

K		M8x135mm Bolt	2	N		M8x50mm Bolt	4
L		M8x80mm Bolt	2	O		M8x20mm Bolt	4
M		M8x70mm Bolt	4				

**Assembly Instructions**

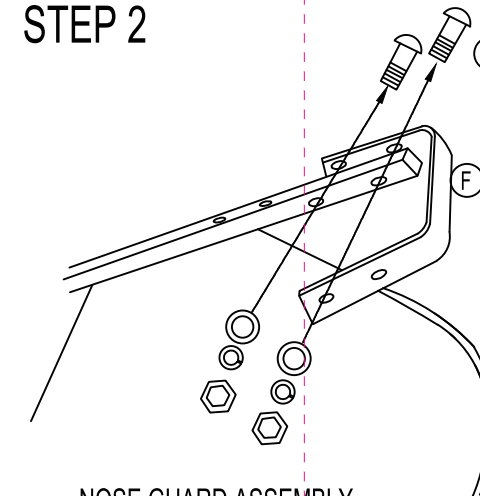
Note: Do not completely tighten screws until the assembly has been completed.

**STEP 1**



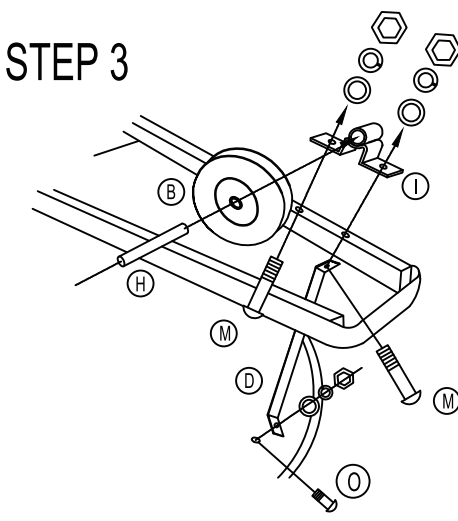
REPEAT FOR SECOND HANDLE

**STEP 2**



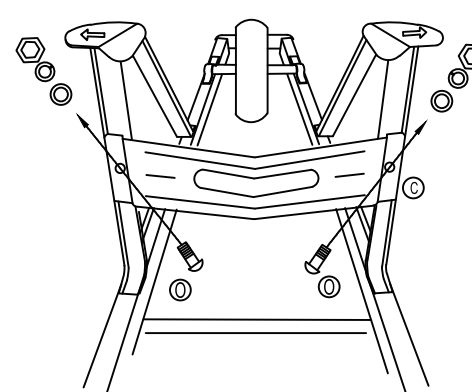
NOSE GUARD ASSEMBLY

**STEP 3**



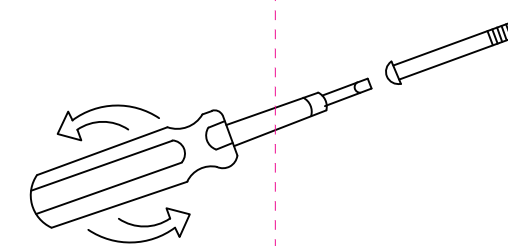
WHEEL & TRAY BRACE ASSEMBLY - REPEAT FOR SECOND LEG

**STEP 4**



LEG BRACE ASSEMBLY

**STEP 5**



ALIGN PARTS AND TIGHTEN ALL BOLTS SECURELY FOR SAFETY

**Care Instructions**

After use, clean with a wet, soft cloth or sponge. Rinse thoroughly. When not in use, store in a dry or sheltered location. If stored outdoors, place upright, upside down or sideways to ensure water does not collect in the tray to avoid rust formation.



Centurion Garden & Outdoor Living  
1191 Huntington Ave.  
Wisconsin Rapids, WI 54484  
sales@centurionbrands.com  
1-877-338-3388  
www.centurionbrands.com

**WARNING: Cancer and Reproductive Harm - www.P65Warnings.ca.gov**