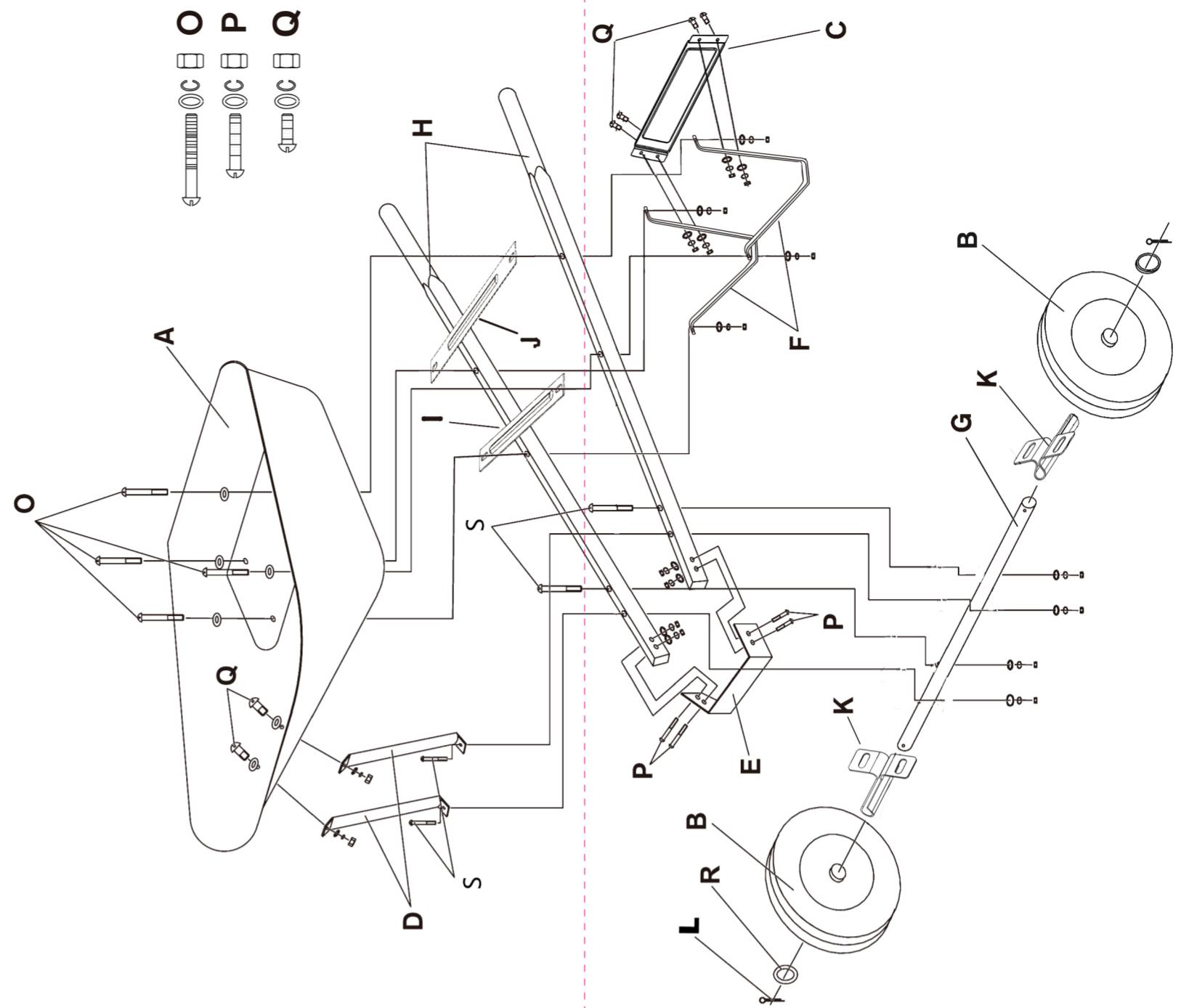




8 CUFT POLY WHEELBARROW WITH WOOD HANDLE AND DUAL 16" PNEUMATIC TIRES



TOOLS REQUIRED (NOT INCLUDED)



PART LIST

KEY	PART	DESCRIPTION	QTY.	KEY	PART	DESCRIPTION	QTY.
A		Tray	1	G		Axle	1
B		Wheel	2	H		Handle	2
C		Leg Brace	1	I		Front Short Steel Strap	1
D		Tray Brace	2	J		Rear Long Steel Strap	1
E		Nose Guard	1	K		Wheel Bracket	2
F		Leg	2	L		Axle Pin	2
				R		Large Washer	2

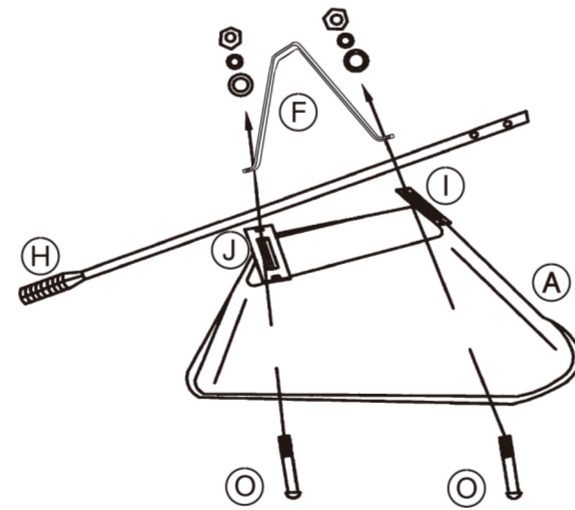
HARDWARE LIST

O		M8 X 80mm Bolt	4	Q		M8 X 25mm Bolt	6
P		M8 X 55mm Bolt	4	S		M8 X 70mm Bolt	4

ASSEMBLY INSTRUCTIONS

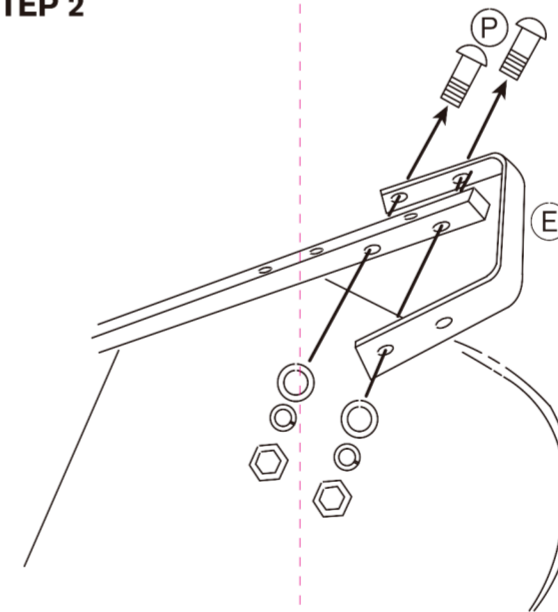
Note: Do not completely tighten screws until assembly has been completed.

STEP 1



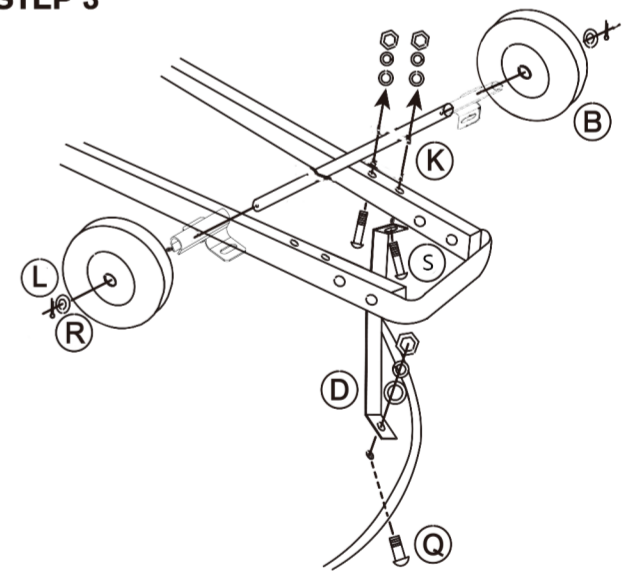
Repeat for second handle

STEP 2



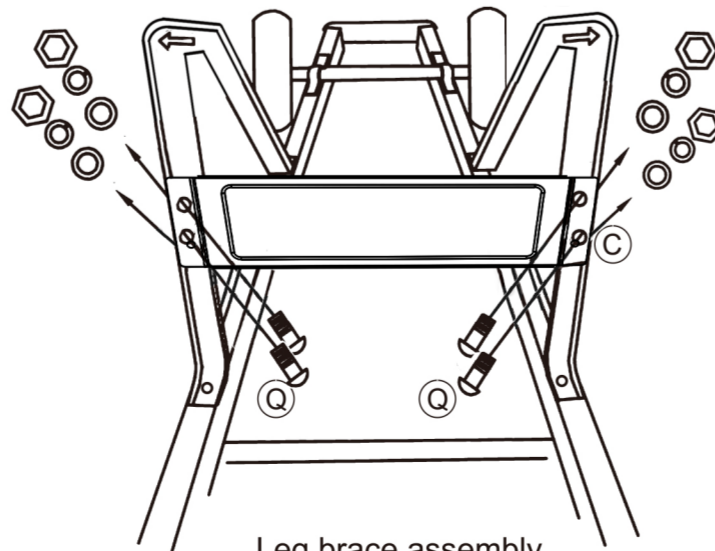
Nose guard assembly

STEP 3



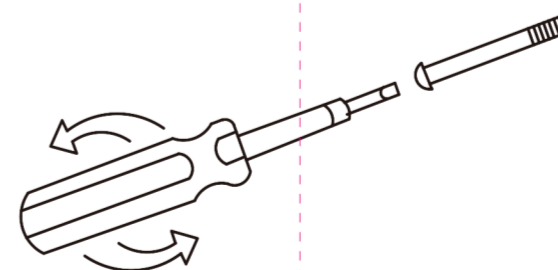
Wheel & tray brace assembly - Repeat for second leg

STEP 4



Leg brace assembly

STEP 5



Align parts and tighten all bolts securely for safety

CARE INSTRUCTIONS:

After use, clean with a wet, soft cloth or sponge. Rinse thoroughly. When not in use, store in a dry or sheltered location. If stored outdoors, place upright, upside down or sideways to ensure water does not collect in the tray to avoid rust formation.



Centurion Garden & Outdoor Living
1191 Huntington Ave.
Wisconsin Rapids, WI 54494
sales@centurionbrands.com
1-877-330-3366
www.centurionbrands.com

WARNING: Cancer and Reproductive Harm-www.P65Warnings.ca.gov