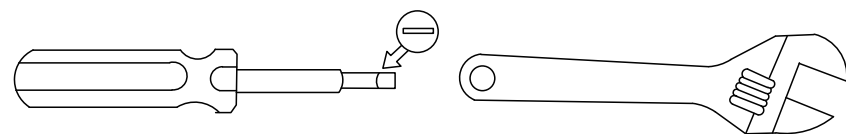


TOOLS REQUIRED (NOT INCLUDED)



PARTS LIST

KEY	PART	DESCRIPTION	QTY.	KEY	PART	DESCRIPTION	QTY.
A		Tray	1	F		Nose Guard	1
B		Wheel	1	G		Leg	2
C		Leg Brace	1	H		Heavy-duty handle	2
D		Tray Brace	2	I		Axle	1
E		Wedge	2	J		Wheel bracket	2

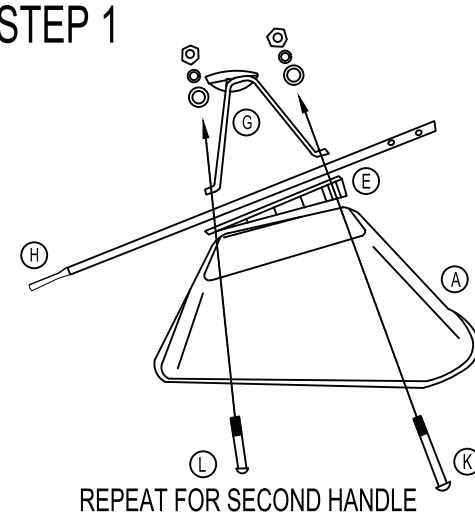
HARDWARE LIST

K		M8x135mm Bolt	2	N		M8x50mm Bolt	4
L		M8x80mm Bolt	2	O		M8x20mm Bolt	4
M		M8x70mm Bolt	4				

Assembly Instructions

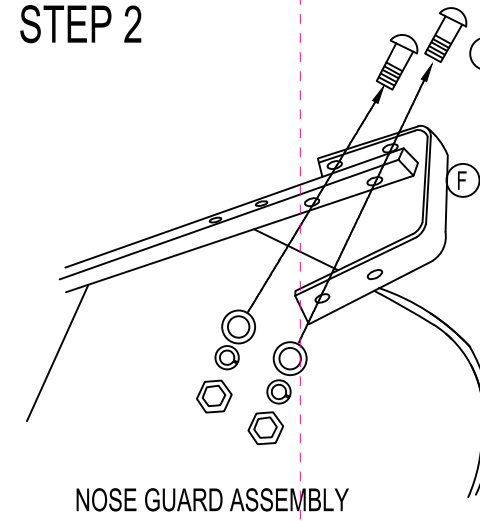
Note: Do not completely tighten screws until the assembly has been completed.

STEP 1



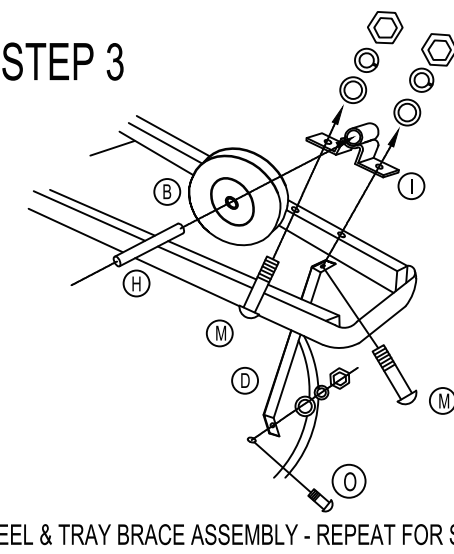
REPEAT FOR SECOND HANDLE

STEP 2



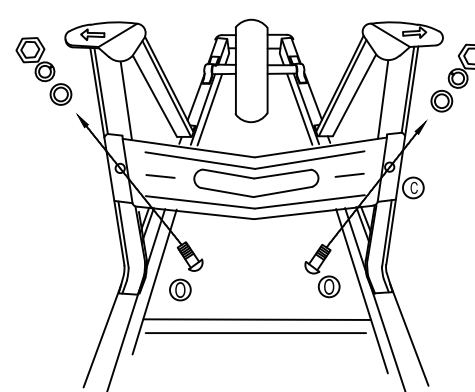
NOSE GUARD ASSEMBLY

STEP 3



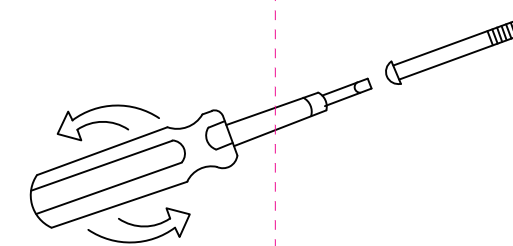
WHEEL & TRAY BRACE ASSEMBLY - REPEAT FOR SECOND LEG

STEP 4



LEG BRACE ASSEMBLY

STEP 5



ALIGN PARTS AND TIGHTEN ALL BOLTS SECURELY FOR SAFETY

Care Instructions
After use, clean with a wet, soft cloth or sponge. Rinse thoroughly. When not in use, store in a dry or sheltered location. If stored outdoors, place upright, upside down or sideways to ensure water does not collect in the tray to avoid rust formation.